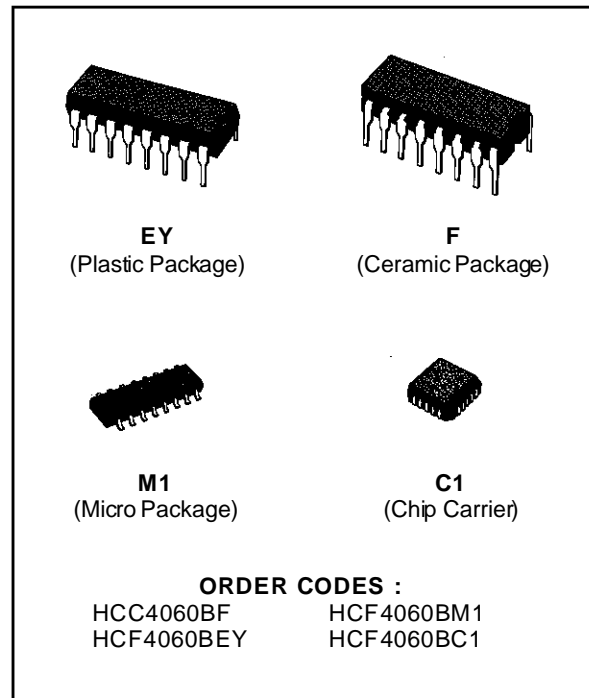


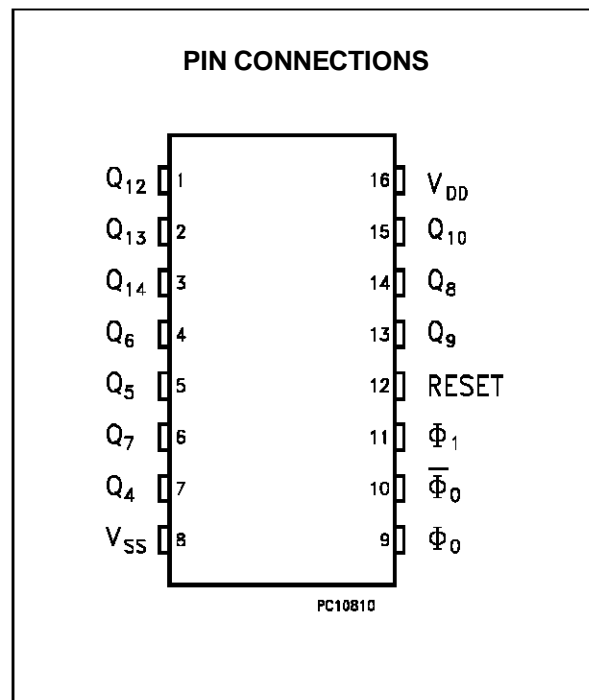
**14-STAGE RIPPLE CARRY BINARY
COUNTER/DIVIDER AND OSCILLATOR**

- MEDIUM-SPEED OPERATION
- COMMON RESET
- FULLY STATIC OPERATION
- BUFFERED INPUTS AND OUTPUTS
- QUIESCENT CURRENT SPECIFIED TO 20V FOR HCC DEVICE
- 5V, 10V AND 15V PARAMETRIC RATINGS
- INPUT CURRENT OF 100nA AT 18V AND 25°C FOR HCC DEVICE
- 1005 TESTED FOR QUIESCENT CURRENT
- MEETS ALL REQUIREMENTS OF JEDEC TENTATIVE STANDARD N. 13A, "STANDARD SPECIFICATIONS FOR DESCRIPTION OF 'B' SERIES CMOS DEVICES"



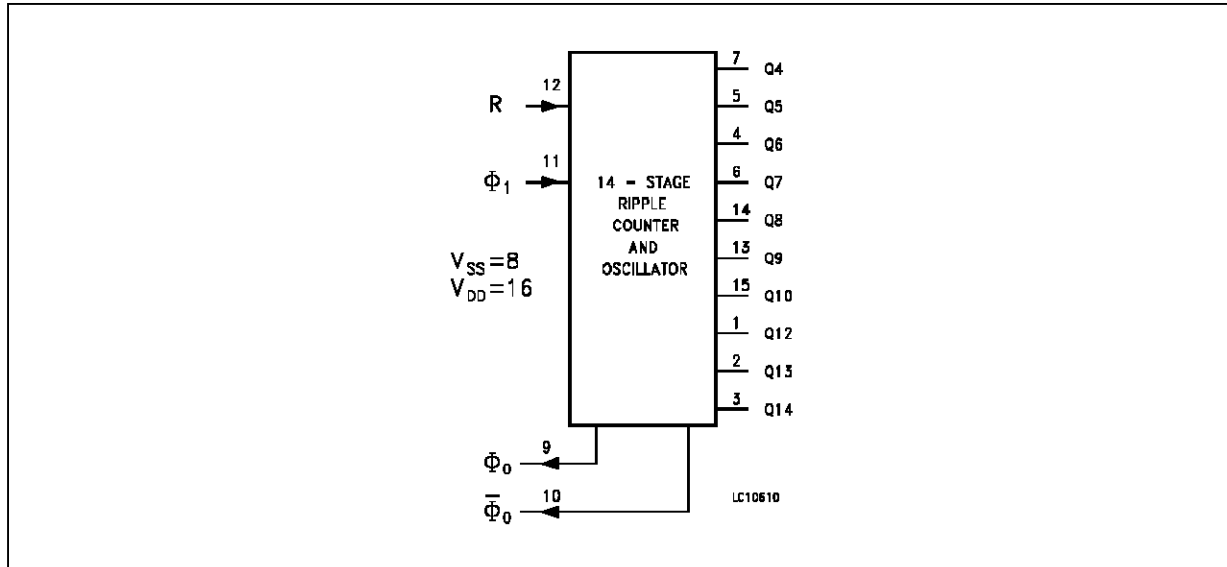
DESCRIPTION

The **HCC4060B** (extended temperature range) and **HCF4060B** (intermediate temperature range) are monolithic integrated circuit, available in 16-lead dual in line plastic or ceramic package and plastic micropackage. The **HCC/HCF4060B** consist of an oscillator section and 14 ripple carry binary counter stages. The oscillator configuration allows design of either RC or crystal oscillator circuits. A RESET input is provided which reset the counter to the all 0's state and disables oscillator. A high level on the RESET line accomplishes the reset function. All counter stages are master slave flip-flops. The state of the counter is advanced one step in binary order on the negative transition of ϕ_1 (and ϕ_0). All inputs and outputs are fully buffered. Schmitt trigger action on the clock lin permits unlimited clock rise and fall time.



HCC/HCF4060B

FUNCTIONAL DIAGRAM



ABSOLUTE MAXIMUM RATING

| Symbol | Parameter | Value | Unit |
|------------|--|----------------------------|----------------------------|
| V_{DD}^* | Supply Voltage: HCC Types HCF Types | -0.5 to +20 -0.5 to +18 | V V |
| V_i | Input Voltage | -0.5 to $V_{DD} + 0.5$ | V |
| I_i | DC Input Current (any one input) | ± 10 | mA |
| P_{tot} | Total Power Dissipation (per package) Dissipation per Output Transistor for Top = Full Package Temperature Range | 200 100 | mW mW |
| T_{op} | Operating Temperature: HCC Types HCF Types | -55 to +125 -40 to +85 | $^{\circ}C$ $^{\circ}C$ |
| T_{stg} | Storage Temperature | -65 to +150 | $^{\circ}C$ |

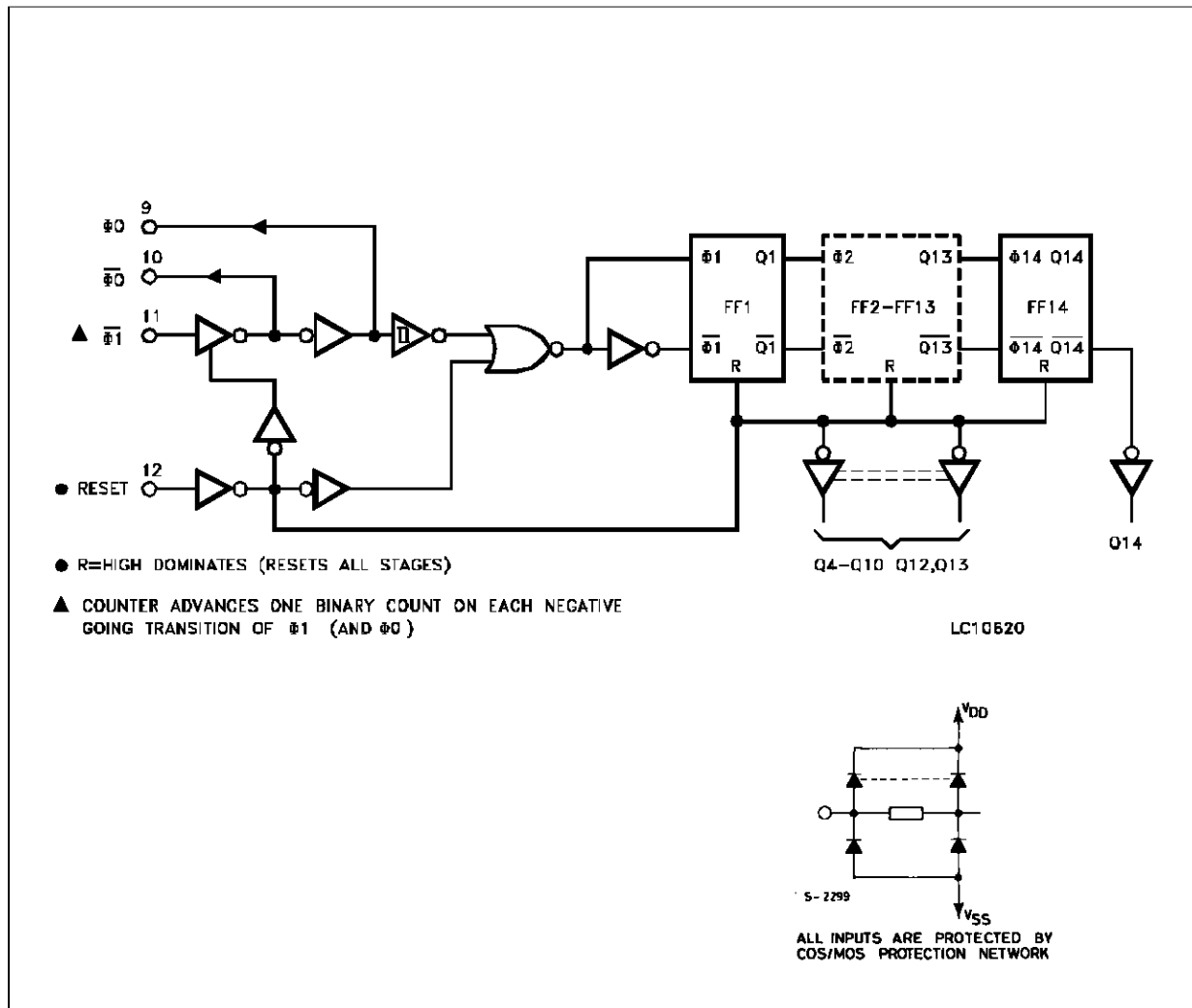
Stresses above those listed under "Absolute Maximum Ratings" may cause permanent damage to the device. This is a stress rating only and functional operation of the device at these or any other conditions above those indicated in the operational sections of this specification is not implied. Exposure to absolute maximum rating conditions for external periods may affect device reliability.

* All voltage values are referred to V_{SS} pin voltage.

RECOMMENDED OPERATING CONDITIONS

| Symbol | Parameter | Value | Unit |
|----------|---|---------------------------|----------------------------|
| V_{DD} | Supply Voltage: HCC Types HCF Types | 3 to 18 3 to 15 | V V |
| V_i | Input Voltage | 0 to V_{DD} | V |
| T_{op} | Operating Temperature: HCC Types HCF Types | -55 to +125 -40 to +85 | $^{\circ}C$ $^{\circ}C$ |

LOGIC DIAGRAM



HCC/HCF4060B

STATIC ELECTRICAL CHARACTERISTICS (over recommended operating conditions)

| Symbol | Parameter | | Test Conditions | | | | Value | | | | | | Unit | |
|-----------------------------------|-----------------------|-----------|-----------------------|-----------------------|--------------------------------|------------------------|--------------------|-------|---------------|-----------|-------|---------------------|---------|---------|
| | | | V _I (V) | V _O (V) | I _O (μ A) | V _{DD} (V) | T _{LOW} * | | 25 °C | | | T _{HIGH} * | | |
| | | | | | | | Min. | Max. | Min. | Typ. | Max. | Min. | | Max. |
| I _L | Quiescent Current | HCC Types | 0/5 | | | 5 | | 5 | | 0.04 | 5 | | 150 | μ A |
| | | | 0/10 | | | 10 | | 10 | | 0.04 | 10 | | 300 | |
| | | | 0/15 | | | 15 | | 20 | | 0.04 | 20 | | 600 | |
| | | 0/20 | | | 20 | | 100 | | 0.08 | 100 | | 3000 | | |
| | | HCF Types | 0/5 | | | 5 | | 20 | | 0.04 | 20 | | 150 | |
| | | | 0/10 | | | 10 | | 40 | | 0.04 | 40 | | 300 | |
| 0/15 | | | | 15 | | 80 | | 0.04 | 80 | | 600 | | | |
| V _{OH} | Output High Voltage | 0/5 | | < 1 | 5 | 4.95 | | 4.95 | | | 4.95 | | V | |
| | | 0/10 | | < 1 | 10 | 9.95 | | 9.95 | | | 9.95 | | | |
| | | 0/15 | | < 1 | 15 | 14.95 | | 14.95 | | | 14.95 | | | |
| V _{OL} | Output Low Voltage | 5/0 | | < 1 | 5 | | 0.05 | | | 0.05 | | 0.05 | V | |
| | | 10/0 | | < 1 | 10 | | 0.05 | | | 0.05 | | 0.05 | | |
| | | 15/0 | | < 1 | 15 | | 0.05 | | | 0.05 | | 0.05 | | |
| V _{IH} | Input High Voltage | 0.5/4.5 | < 1 | 5 | 3.5 | | | 3.5 | | | | 3.5 | V | |
| | | 1/9 | < 1 | 10 | 7 | | | 7 | | | | 7 | | |
| | | 1.5/13.5 | < 1 | 15 | 11 | | | 11 | | | | 11 | | |
| V _{IL} | Input Low Voltage | 4.5/0.5 | < 1 | 5 | | | 1.5 | | | 1.5 | | 1.5 | V | |
| | | 9/1 | < 1 | 10 | | | 3 | | | 3 | | 3 | | |
| | | 13.5/1.5 | < 1 | 15 | | | 4 | | | 4 | | 4 | | |
| I _{OH} | Output Drive Current | HCC Types | 0/5 | 2.5 | | 5 | -2 | | -1.6 | -3.2 | | -1.15 | mA | |
| | | | 0/5 | 4.6 | | 5 | -0.64 | | -0.51 | -1 | | -0.36 | | |
| | | | 0/10 | 9.5 | | 10 | -1.6 | | -1.3 | -2.6 | | -0.9 | | |
| | | | 0/15 | 13.5 | | 15 | -4.2 | | -3.4 | -6.8 | | -2.4 | | |
| | | HCF Types | 0/5 | 2.5 | | 5 | -1.53 | | -1.36 | -3.2 | | -1.1 | | |
| | | | 0/5 | 4.6 | | 5 | -0.52 | | -0.44 | -1 | | -0.36 | | |
| | | | 0/10 | 9.5 | | 10 | -1.3 | | -1.1 | -2.6 | | -0.9 | | |
| | | | 0/15 | 13.5 | | 15 | -3.6 | | -3.0 | -6.8 | | -2.4 | | |
| I _{OL} | Output Sink Current | HCC Types | 0/5 | 0.4 | | 5 | 0.64 | | 0.51 | 1 | | 0.36 | mA | |
| | | | 0/10 | 0.5 | | 10 | 1.6 | | 1.3 | 2.6 | | 0.9 | | |
| | | | 0/15 | 1.5 | | 15 | 4.2 | | 3.4 | 6.8 | | 2.4 | | |
| | | HCF Types | 0/5 | 0.4 | | 5 | 0.52 | | 0.44 | 1 | | 0.36 | | |
| | | | 0/10 | 0.5 | | 10 | 1.3 | | 1.1 | 2.6 | | 0.9 | | |
| | | | 0/15 | 1.5 | | 15 | 3.6 | | 3.0 | 6.8 | | 2.4 | | |
| I _{IH} , I _{IL} | Input Leakage Current | 0/18 | Any Input | | 18 | | ± 0.1 | | $\pm 10^{-5}$ | ± 0.1 | | ± 1 | μ A | |
| | | 0/15 | Any Input | | 15 | | ± 0.3 | | $\pm 10^{-5}$ | ± 0.3 | | ± 1 | μ A | |
| C _I | Input Capacitance | | Any Input | | | | | | 5 | 7.5 | | | pF | |

* T_{LOW} = -55 °C for HCC device; -40 °C for HCF device.

* T_{HIGH} = +125 °C for HCC device; +85 °C for HCF device.

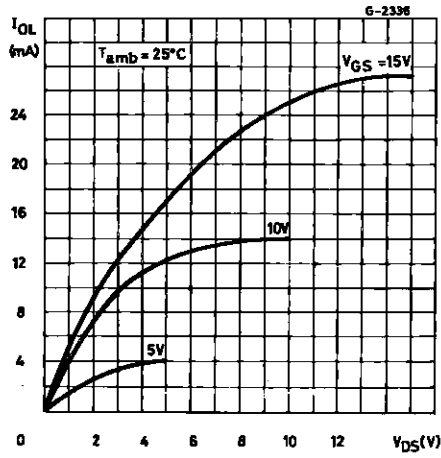
The Noise Margin for both "1" and "0" level is: 1V min. with V_{DD} = 5V, 2V min. with V_{DD} = 10V, 2.5V min. with V_{DD} = 15V

DYNAMIC ELECTRICAL CHARACTERISTICS ($T_{amb} = 25\text{ }^{\circ}\text{C}$, $C_L = 50\text{ pF}$, $R_L = 200\text{ K}\Omega$, typical temperature coefficient for all V_{DD} values is $03\text{ } \%/^{\circ}\text{C}$, all input rise and fall times = 20 ns)

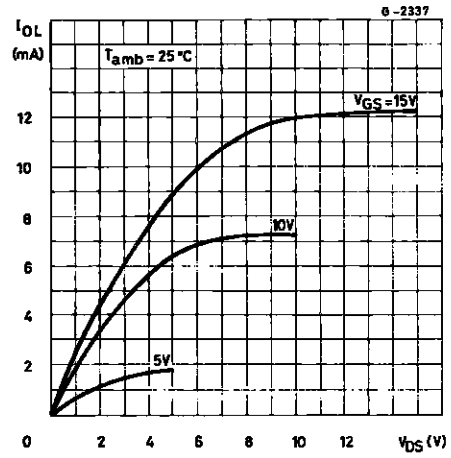
| Symbol | Parameter | Test Conditions | Value | | | Unit | |
|------------------------|---|--|-------------------------------|-----------|------|------|------------------|
| | | | V_{DD} (V) | Min. | Typ. | | Max. |
| t_{PLH} t_{PHL} | Propagation Delay Time (ϕ to Q4 out) | | 5 | | 370 | 740 | ns |
| | | | 10 | | 150 | 300 | |
| | | | 15 | | 100 | 200 | |
| t_{PLH} t_{PHL} | Propagation Delay Time (Q_n to Q_{n+1}) | | 5 | | 100 | 200 | ns |
| | | | 10 | | 50 | 100 | |
| | | | 15 | | 40 | 80 | |
| t_{TLH} t_{THL} | Transition Time | | 5 | | 100 | 200 | ns |
| | | | 10 | | 50 | 100 | |
| | | | 15 | | 40 | 80 | |
| t_w | Input Pulse Width | $f = 100\text{ KHz}$ | 5 | | 50 | 100 | ns |
| | | | 10 | | 20 | 40 | |
| | | | 15 | | 15 | 30 | |
| t_r , t_f | Input Pulse Rise and Fall Time | | 5 | Unlimited | | | μs |
| | | | 10 | | | | |
| | | | 15 | | | | |
| f_{max} | Maximum Clock Input Frequency | | 5 | 3.5 | 7 | | MHz |
| | | | 10 | 8 | 16 | | |
| | | | 15 | 12 | 24 | | |
| RESET OPERATION | | | | | | | |
| t_{PHL} | Propagation Delay Time | | 5 | | 180 | 360 | ns |
| | | | 10 | | 80 | 160 | |
| | | | 15 | | 50 | 100 | |
| t_w | Reset Pulse Width | | 5 | | 60 | 120 | ns |
| | | | 10 | | 30 | 60 | |
| | | | 15 | | 20 | 40 | |
| RC OPERATION | | | | | | | |
| | Variation of Frequency (Unit-to-Unit) | $C_X = 200\text{ pF}$ $R_S = 560\text{ K}\Omega$ $R_X = 50\text{ K}\Omega$ | 5 | 18 | 21.5 | 25 | KHz |
| | | | 10 | 20 | 23 | 26 | |
| | | | 15 | 21.1 | 24 | 27 | |
| | Variation of Frequency With Voltage Change (Same Unit) | $C_X = 200\text{ pF}$ $R_S = 560\text{ K}\Omega$ $R_X = 50\text{ K}\Omega$ | 5 to 10 | | | 2 | KHz |
| | | | 10 to 15 | | | 1 | |
| R_X | | | $C_X = 10\text{ }\mu\text{F}$ | 5 | | 20 | $\text{M}\Omega$ |
| | | | $C_X = 50\text{ }\mu\text{F}$ | 10 | | 20 | |
| | | | $C_X = 10\text{ }\mu\text{F}$ | 15 | | 10 | |
| C_X | | | $R_X = 500\text{ K}\Omega$ | 5 | | 1000 | mF |
| | | | $R_X = 300\text{ K}\Omega$ | 10 | | 50 | |
| | | | $R_X = 300\text{ K}\Omega$ | 15 | | 50 | |
| | Maximum Oscillator Frequency * | $R_X = 5\text{ K}\Omega$ $C_X = 15\text{ pF}$ | 10 | 530 | 650 | 810 | pF |
| | | | 15 | 690 | 800 | 94 | |

* RC oscillator applications are not recommended at supply voltages below 7V for $R_X = 50\text{ K}\Omega$

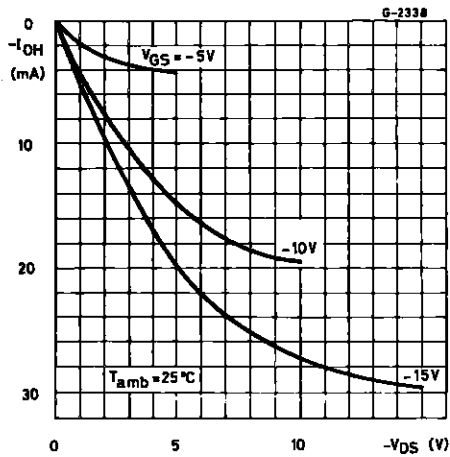
Typical Output Low (sink) Current Characteristics



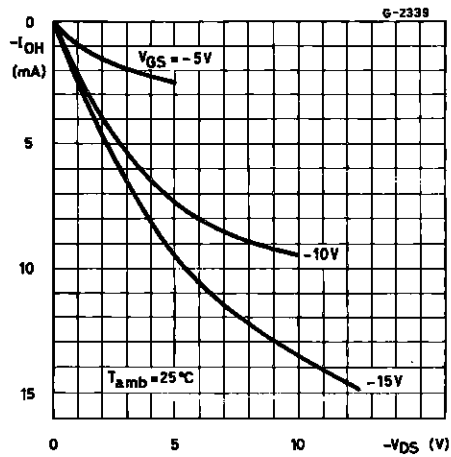
Minimum Output Low (sink) Current Characteristics



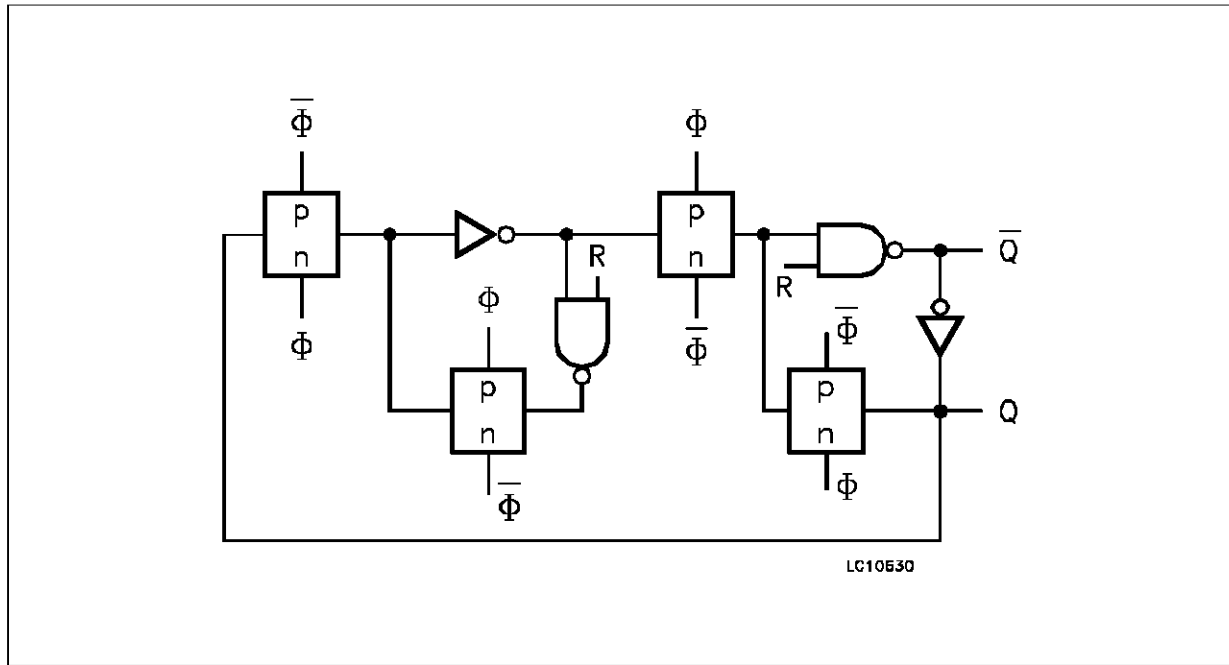
Typical Output High (source) Current Characteristics



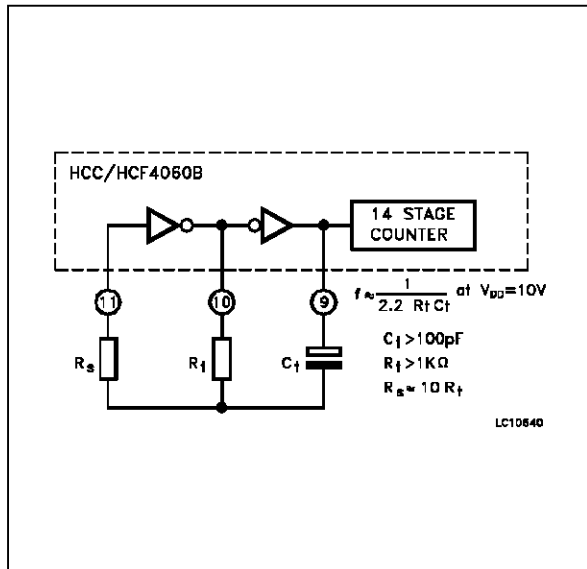
Minimum Output High (source) Current Characteristics



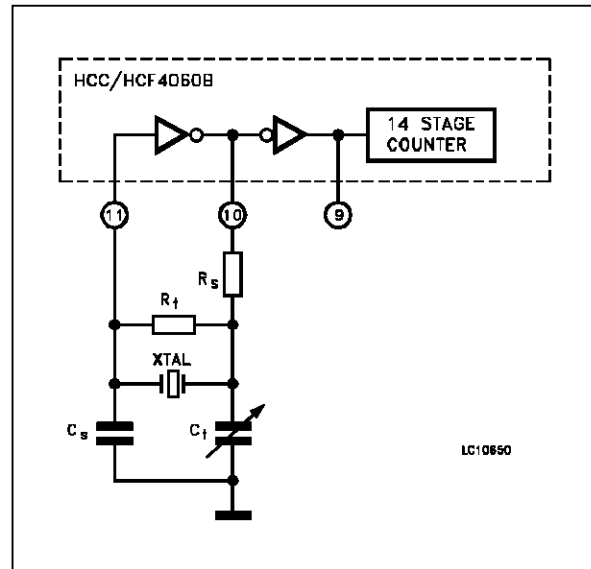
DETAIL OF TYPICAL FILP-FLOP STAGE



TYPICAL RC OSILLATOR CIRCUIT

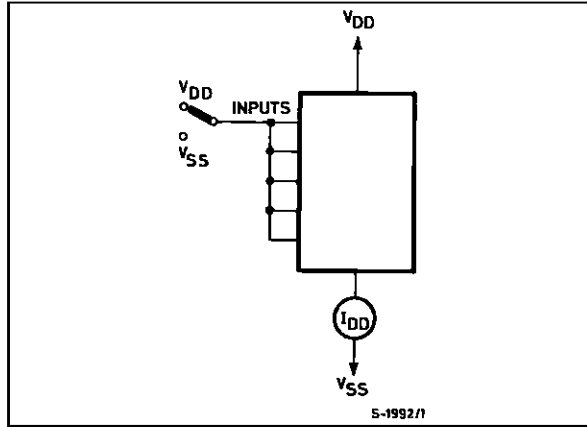


TYPICAL CRYSTAL OSCILLATOR CIRCUIT

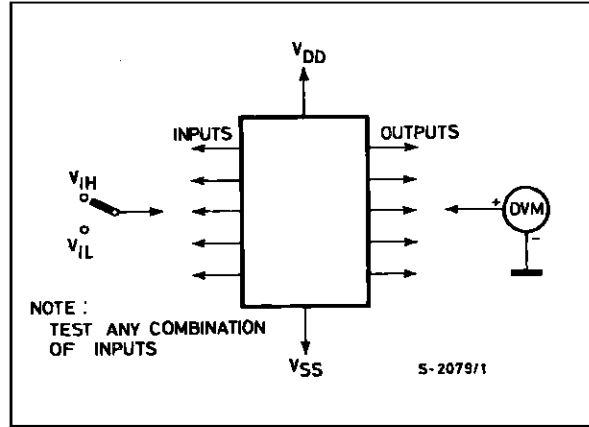


TEST CIRCUITS

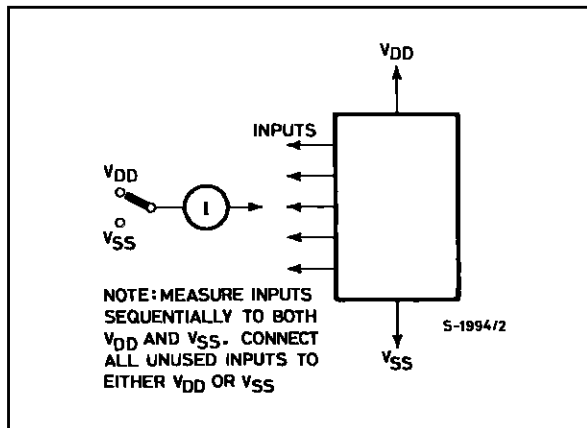
Quiescent Device Current



Noise Immunity

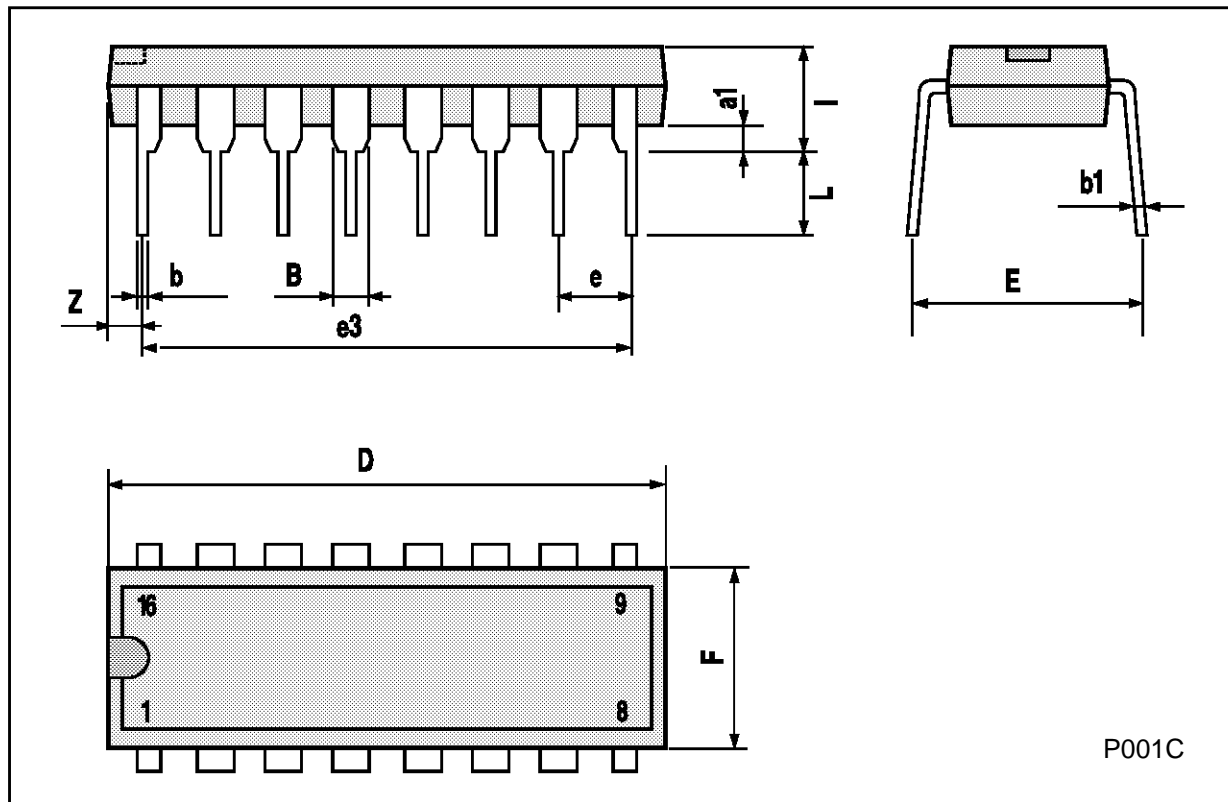


Input Leakage Current



Plastic DIP16 (0.25) MECHANICAL DATA

| DIM. | mm | | | inch | | |
|------|------|-------|------|-------|-------|-------|
| | MIN. | TYP. | MAX. | MIN. | TYP. | MAX. |
| a1 | 0.51 | | | 0.020 | | |
| B | 0.77 | | 1.65 | 0.030 | | 0.065 |
| b | | 0.5 | | | 0.020 | |
| b1 | | 0.25 | | | 0.010 | |
| D | | | 20 | | | 0.787 |
| E | | 8.5 | | | 0.335 | |
| e | | 2.54 | | | 0.100 | |
| e3 | | 17.78 | | | 0.700 | |
| F | | | 7.1 | | | 0.280 |
| I | | | 5.1 | | | 0.201 |
| L | | 3.3 | | | 0.130 | |
| Z | | | 1.27 | | | 0.050 |



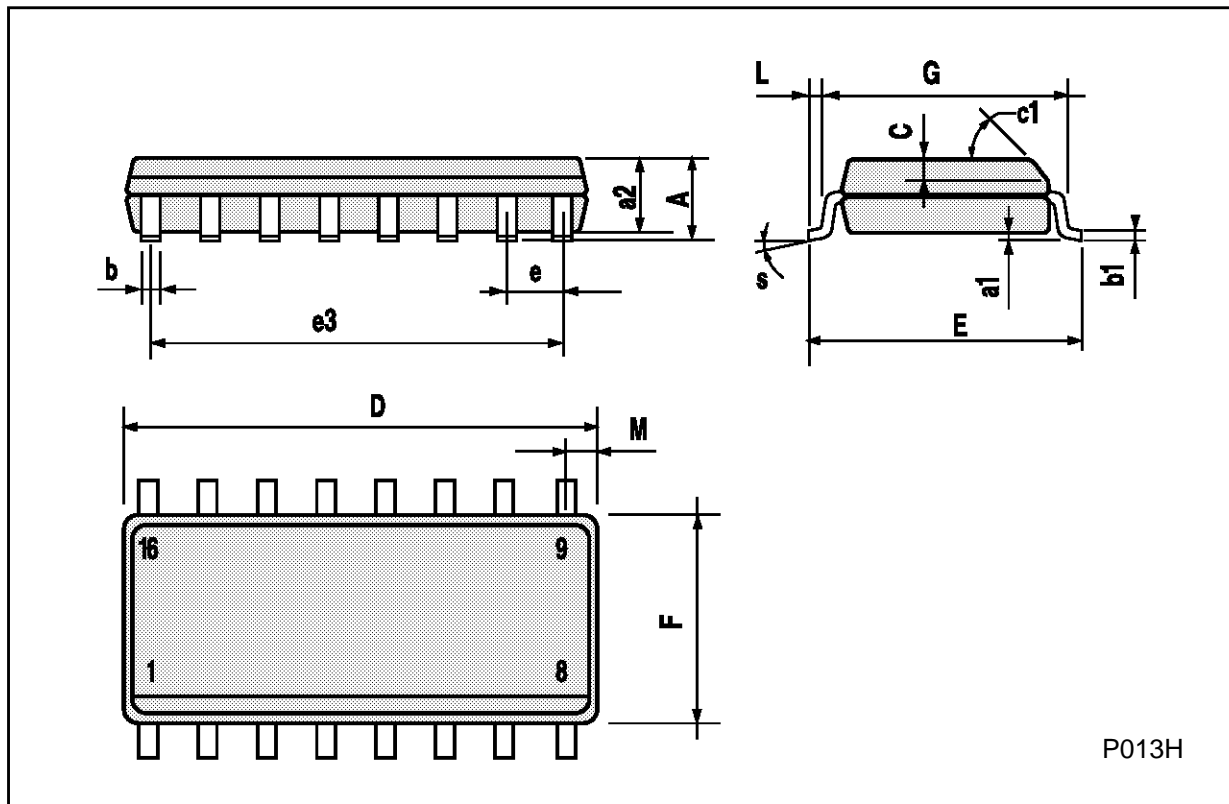
Ceramic DIP16/1 MECHANICAL DATA

| DIM. | mm | | | inch | | |
|------|------|-------|------|-------|-------|-------|
| | MIN. | TYP. | MAX. | MIN. | TYP. | MAX. |
| A | | | 20 | | | 0.787 |
| B | | | 7 | | | 0.276 |
| D | | 3.3 | | | 0.130 | |
| E | 0.38 | | | 0.015 | | |
| e3 | | 17.78 | | | 0.700 | |
| F | 2.29 | | 2.79 | 0.090 | | 0.110 |
| G | 0.4 | | 0.55 | 0.016 | | 0.022 |
| H | 1.17 | | 1.52 | 0.046 | | 0.060 |
| L | 0.22 | | 0.31 | 0.009 | | 0.012 |
| M | 0.51 | | 1.27 | 0.020 | | 0.050 |
| N | | | 10.3 | | | 0.406 |
| P | 7.8 | | 8.05 | 0.307 | | 0.317 |
| Q | | | 5.08 | | | 0.200 |



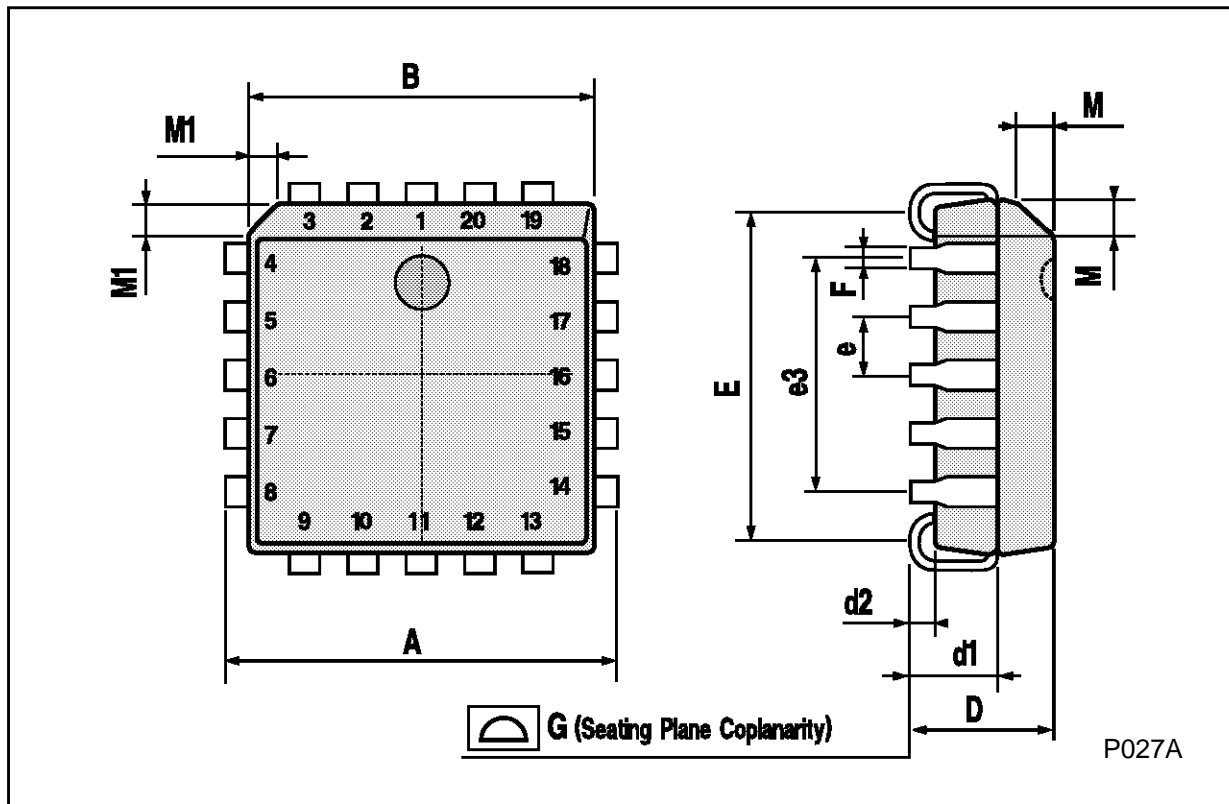
SO16 (Narrow) MECHANICAL DATA

| DIM. | mm | | | inch | | |
|------|------------|------|------|-------|-------|-------|
| | MIN. | TYP. | MAX. | MIN. | TYP. | MAX. |
| A | | | 1.75 | | | 0.068 |
| a1 | 0.1 | | 0.2 | 0.004 | | 0.007 |
| a2 | | | 1.65 | | | 0.064 |
| b | 0.35 | | 0.46 | 0.013 | | 0.018 |
| b1 | 0.19 | | 0.25 | 0.007 | | 0.010 |
| C | | 0.5 | | | 0.019 | |
| c1 | 45° (typ.) | | | | | |
| D | 9.8 | | 10 | 0.385 | | 0.393 |
| E | 5.8 | | 6.2 | 0.228 | | 0.244 |
| e | | 1.27 | | | 0.050 | |
| e3 | | 8.89 | | | 0.350 | |
| F | 3.8 | | 4.0 | 0.149 | | 0.157 |
| G | 4.6 | | 5.3 | 0.181 | | 0.208 |
| L | 0.5 | | 1.27 | 0.019 | | 0.050 |
| M | | | 0.62 | | | 0.024 |
| S | 8° (max.) | | | | | |



PLCC20 MECHANICAL DATA

| DIM. | mm | | | inch | | |
|------|------|------|-------|-------|-------|-------|
| | MIN. | TYP. | MAX. | MIN. | TYP. | MAX. |
| A | 9.78 | | 10.03 | 0.385 | | 0.395 |
| B | 8.89 | | 9.04 | 0.350 | | 0.356 |
| D | 4.2 | | 4.57 | 0.165 | | 0.180 |
| d1 | | 2.54 | | | 0.100 | |
| d2 | | 0.56 | | | 0.022 | |
| E | 7.37 | | 8.38 | 0.290 | | 0.330 |
| e | | 1.27 | | | 0.050 | |
| e3 | | 5.08 | | | 0.200 | |
| F | | 0.38 | | | 0.015 | |
| G | | | 0.101 | | | 0.004 |
| M | | 1.27 | | | 0.050 | |
| M1 | | 1.14 | | | 0.045 | |



Information furnished is believed to be accurate and reliable. However, SGS-THOMSON Microelectronics assumes no responsibility for the consequences of use of such information nor for any infringement of patents or other rights of third parties which may result from its use. No license is granted by implication or otherwise under any patent or patent rights of SGS-THOMSON Microelectronics. Specifications mentioned in this publication are subject to change without notice. This publication supersedes and replaces all information previously supplied. SGS-THOMSON Microelectronics products are not authorized for use as critical components in life support devices or systems without express written approval of SGS-THOMSON Microelectronics.

© 1994 SGS-THOMSON Microelectronics - All Rights Reserved

SGS-THOMSON Microelectronics GROUP OF COMPANIES

Australia - Brazil - France - Germany - Hong Kong - Italy - Japan - Korea - Malaysia - Malta - Morocco - The Netherlands -
Singapore - Spain - Sweden - Switzerland - Taiwan - Thailand - United Kingdom - U.S.A